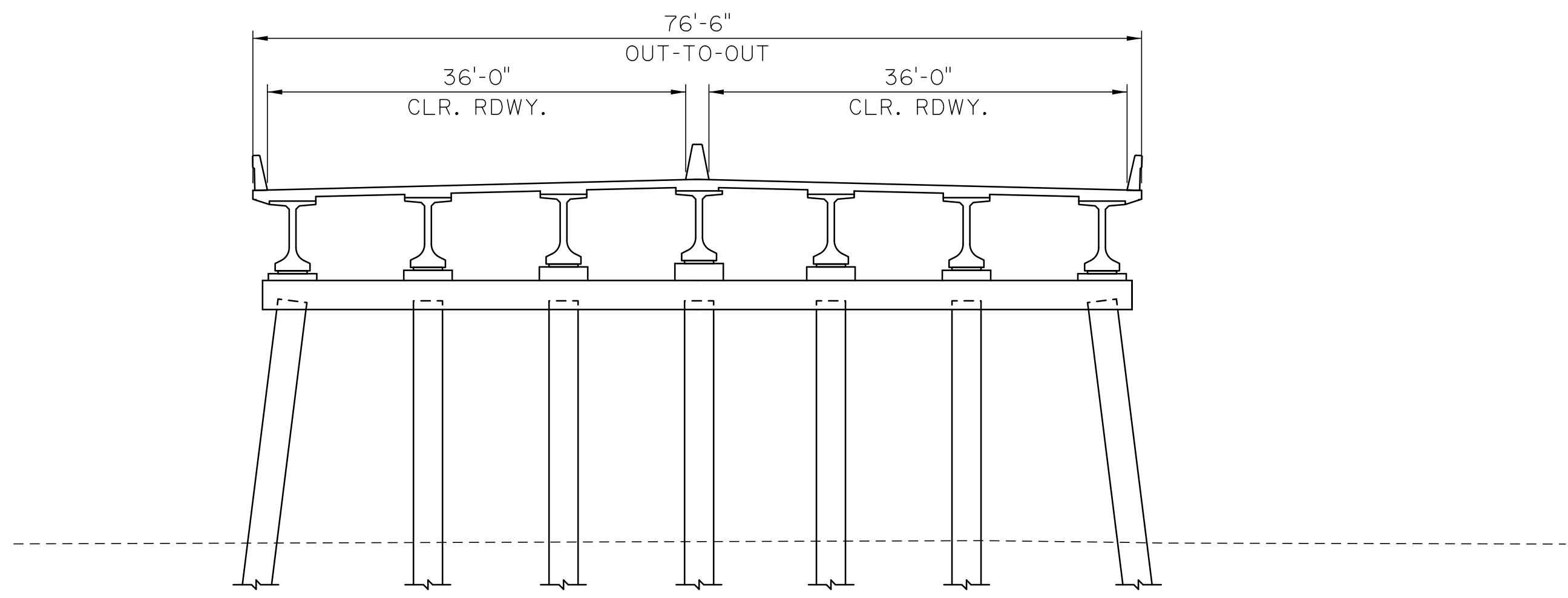
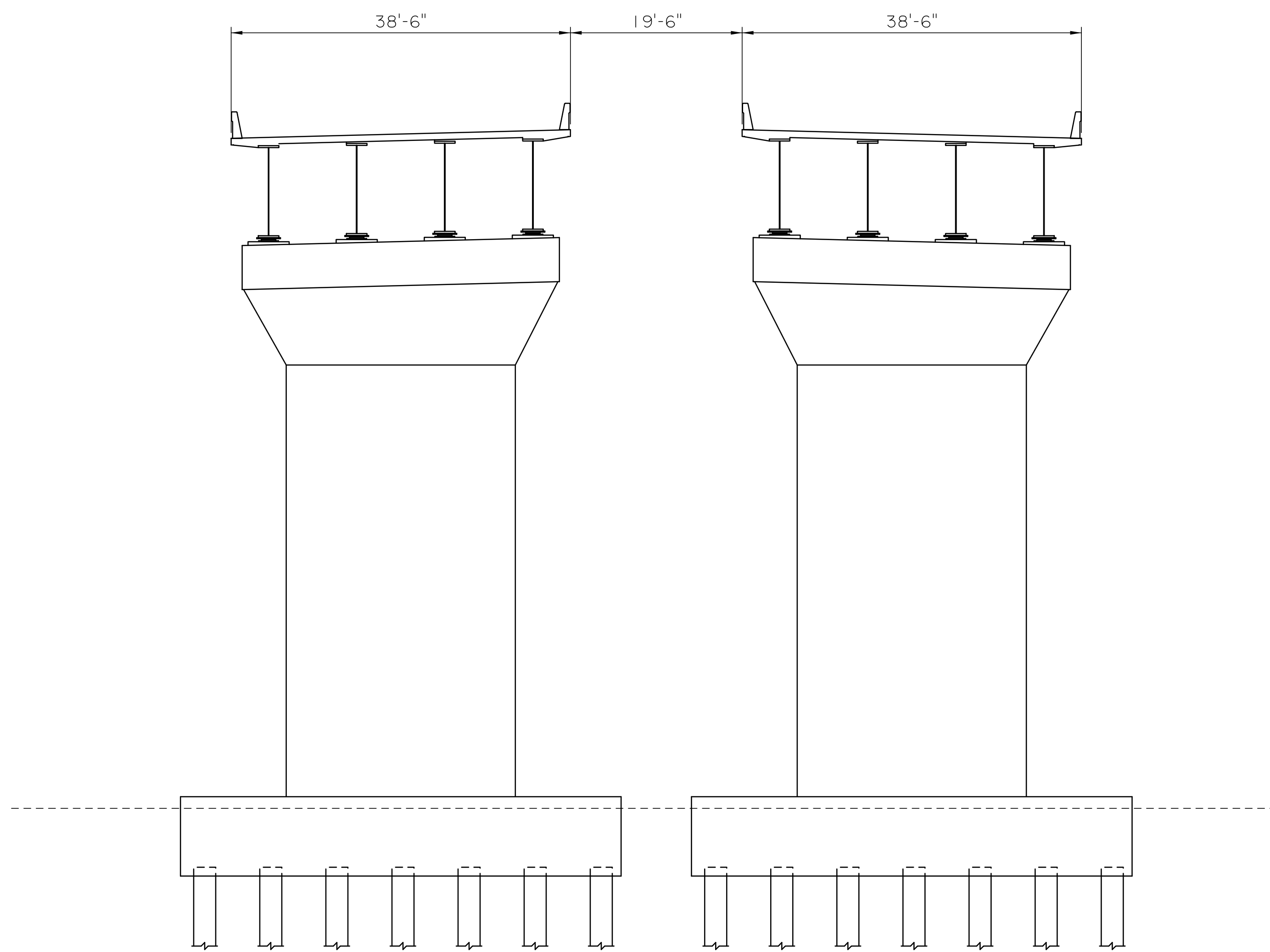


SINGLE BRIDGE OPTION

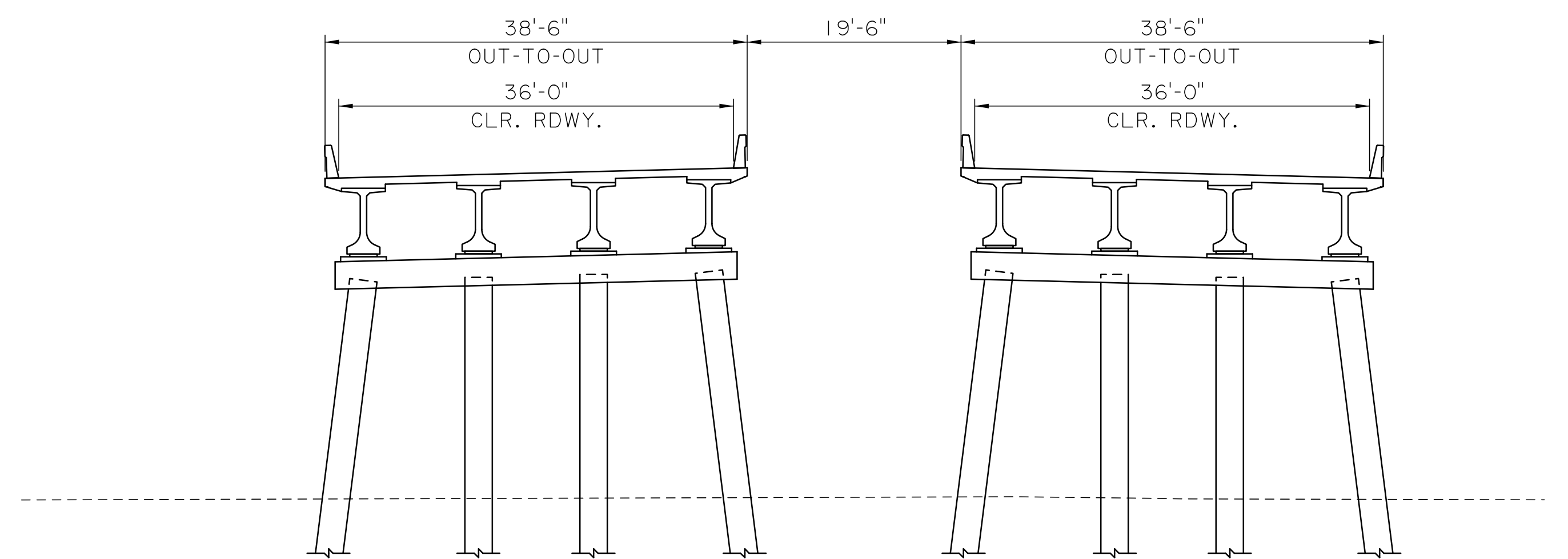


SINGLE BRIDGE OPTION
PCC GIRDER APPROACH SPANS

ICWW CROSSING
TYPICAL SECTIONS

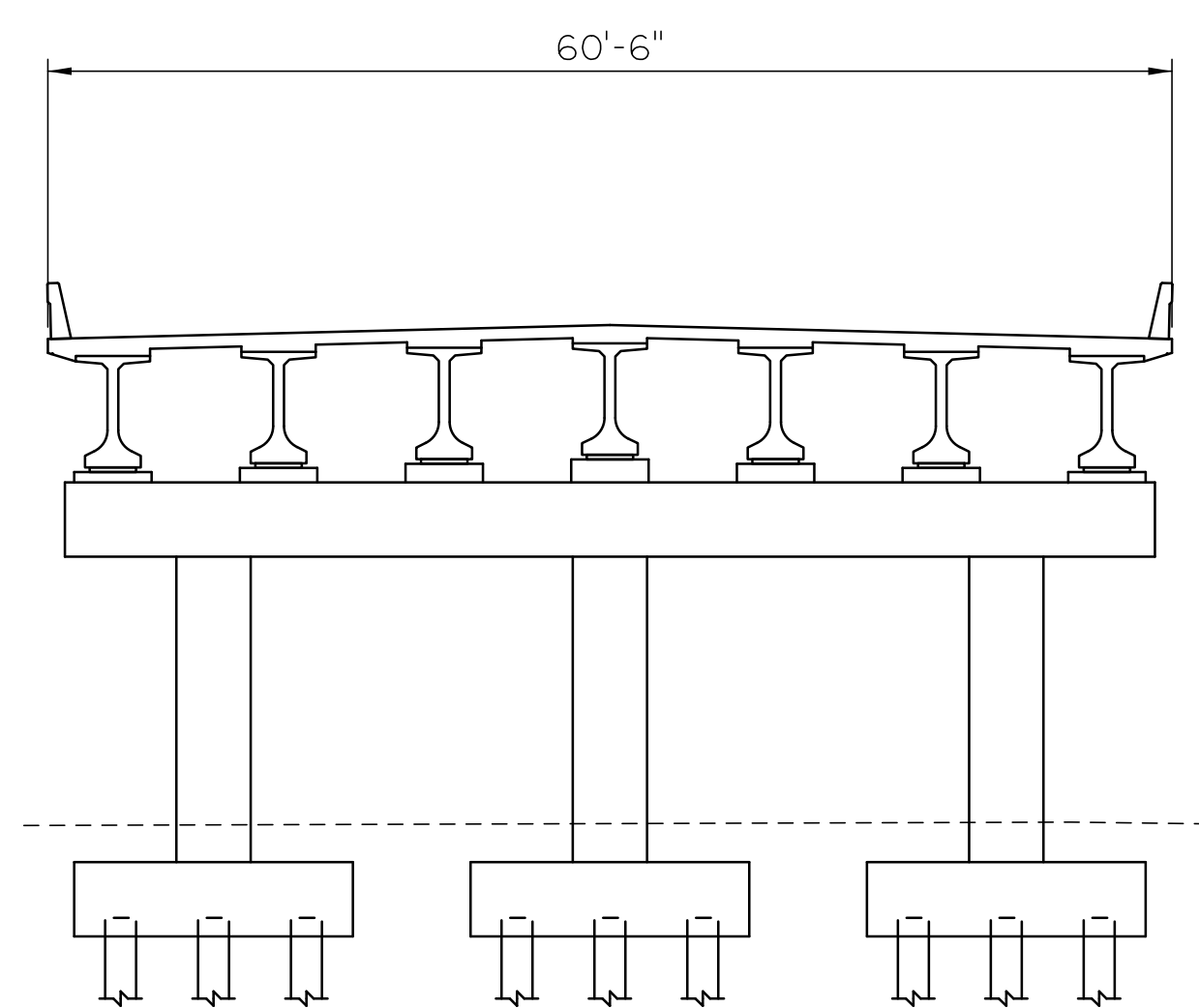


DUAL BRIDGE OPTION

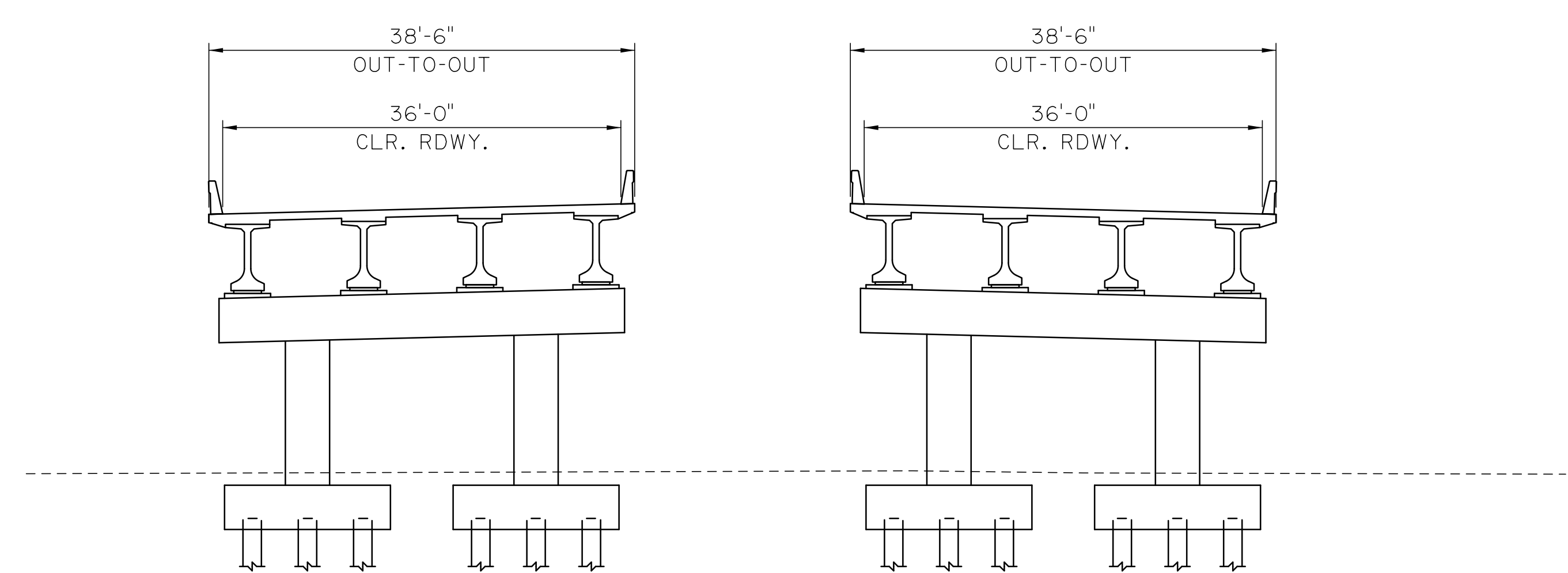


DUAL BRIDGE OPTION

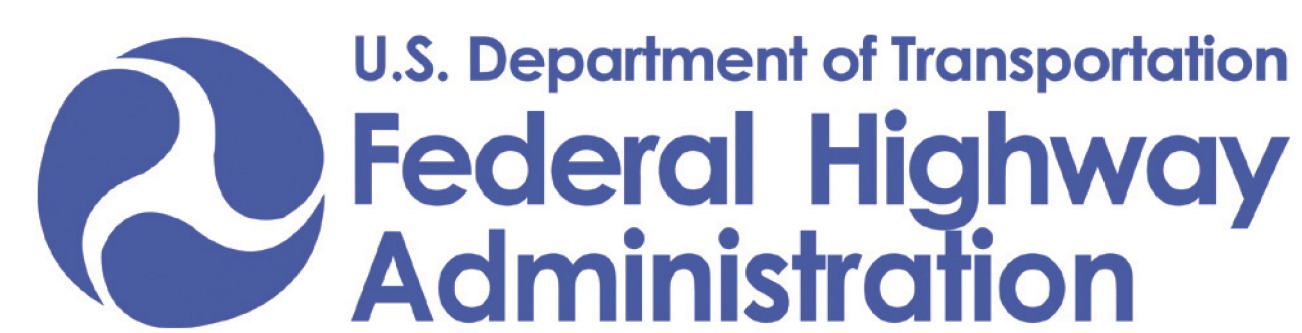
ICWW CROSSING
TYPICAL SECTIONS



BRIDGE OVER UPRR



BRIDGES OVER SUN PLUS PARKWAY



LA 1 / LA 415 CONNECTOR
STATE PROJECT NO. H.005121
F.A.P. NO. H005121
WEST BATON ROUGE PARISH

BRIDGE TYPICAL SECTIONS